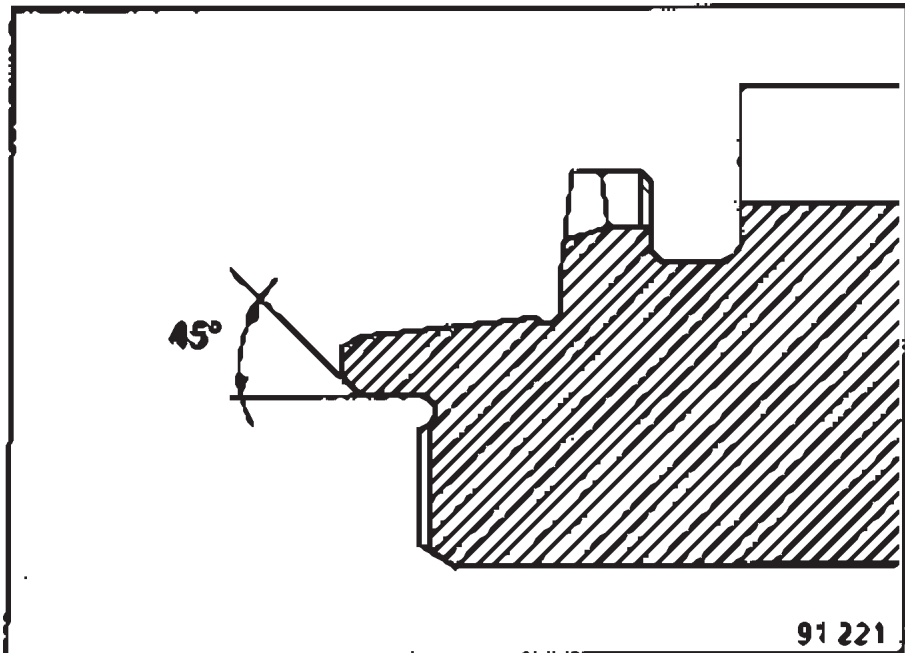
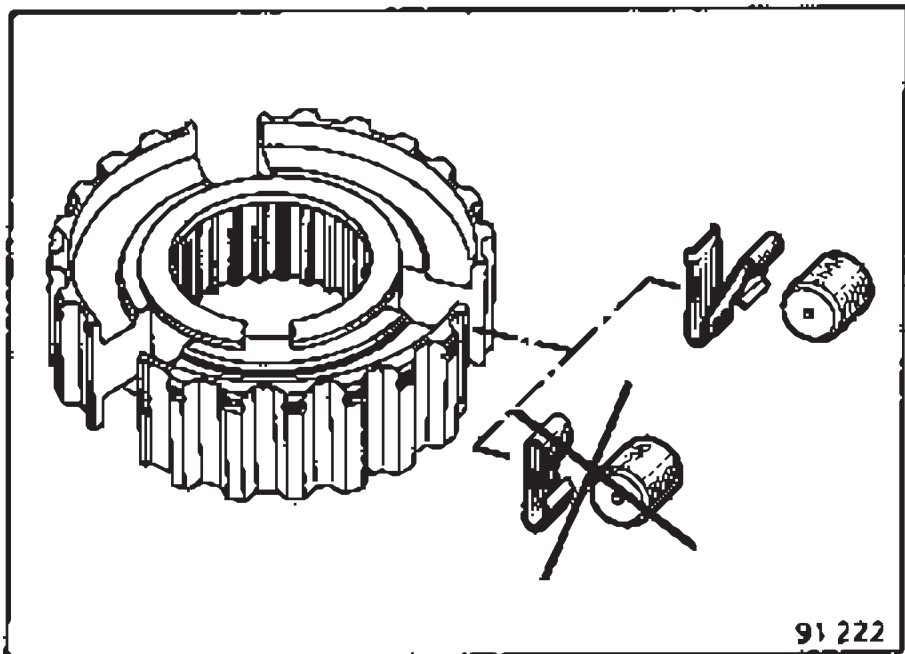


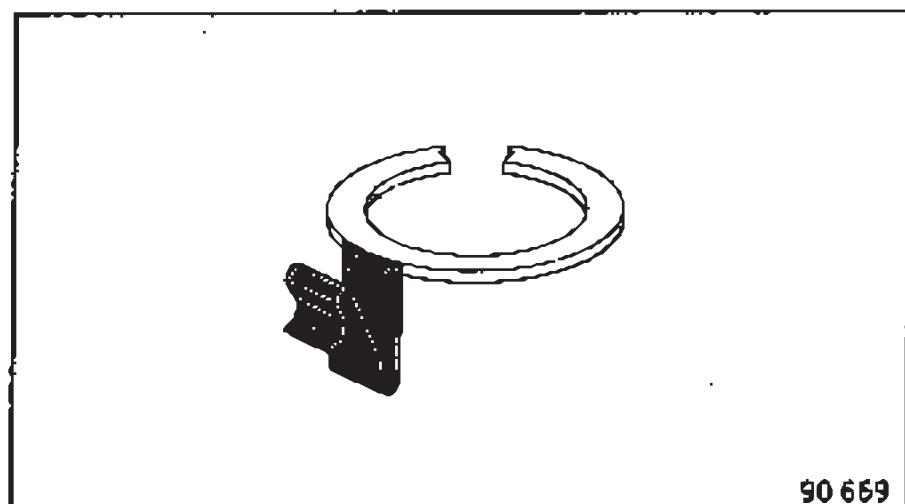
1st type of assembly  
Detail (E)



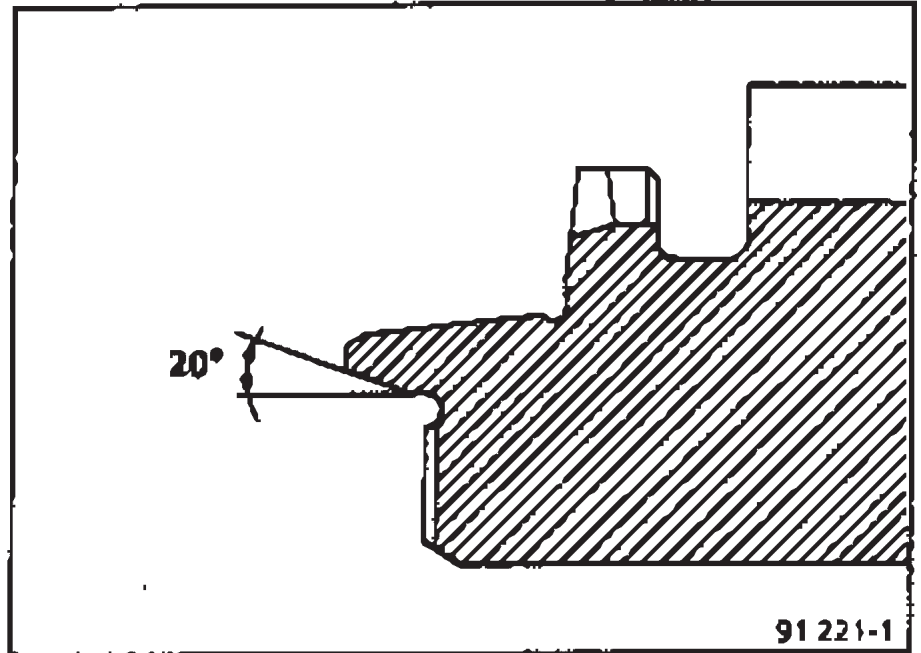
The 45° inlet chamfer "E" for the recess under the synchro cone can only be fitted with a "Z-shaped" spring.



**Remember:** Make sure the synchro roller "Z-shaped" springs are mounted the correct way round: locking tabs fitted at the lock ring end.



2nd type of assembly  
Detail (E)



Special point: idler gears with a 20° inlet chamfer "E" can be fitted either with "heart-shaped" or "Z-shaped" springs. However, different shaped springs must not be used on the same synchro assembly.

**REASSEMBLING (continued)**

Fit the washer and the bearing on the press.

Ensure that the following are the correct way round:

- the chamfer on washer (31) must be on the bearing side;
- the lip seal (34) on the type UN1.

